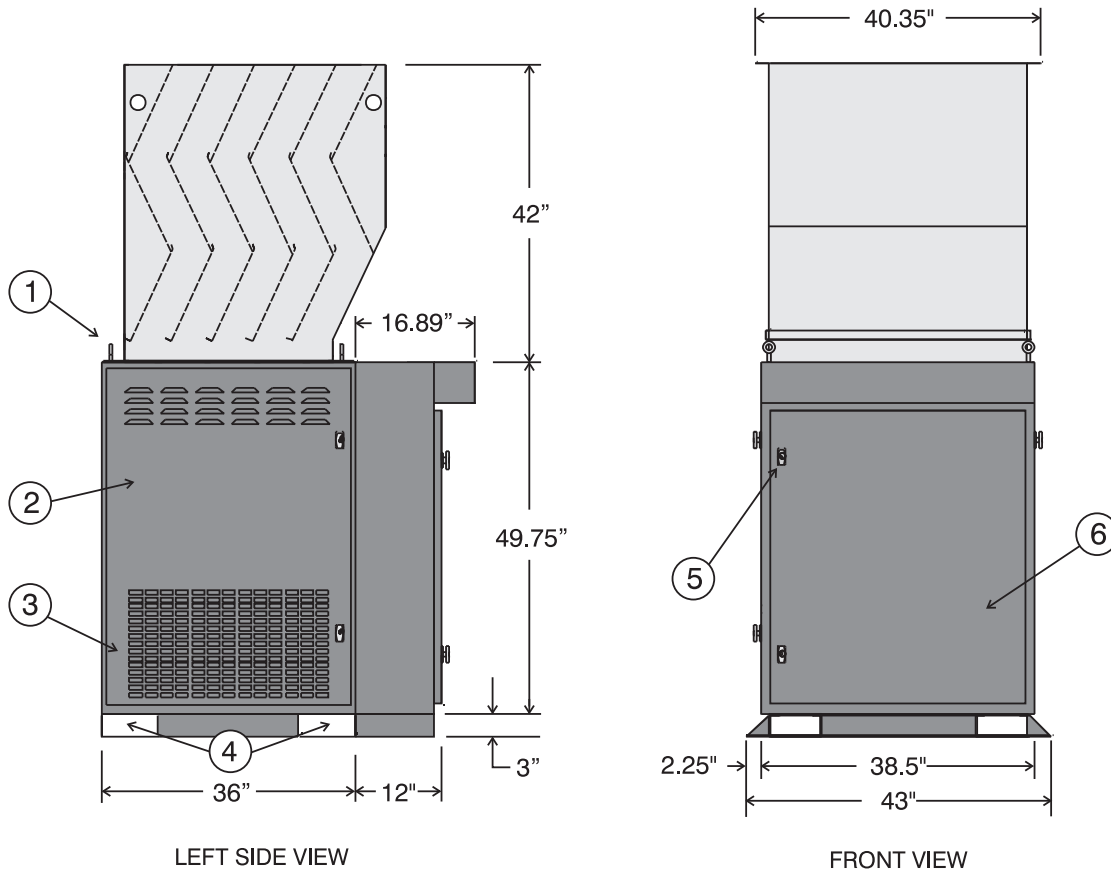


Neptune 200KW Stationary Load Bank

Dimensions and Key Features



1. Load Bank Lifting Eyes
2. Hinged Access Side Panel (Both Sides)
3. Screen Air Intake, Both Sides
4. Fork Lift Channels
5. Top Latch Lockable (All Doors)
6. Control Compartment, Hinged Door

SIMPLEX™