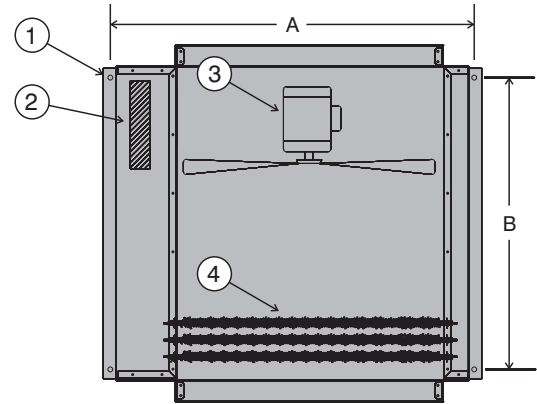


Polaris

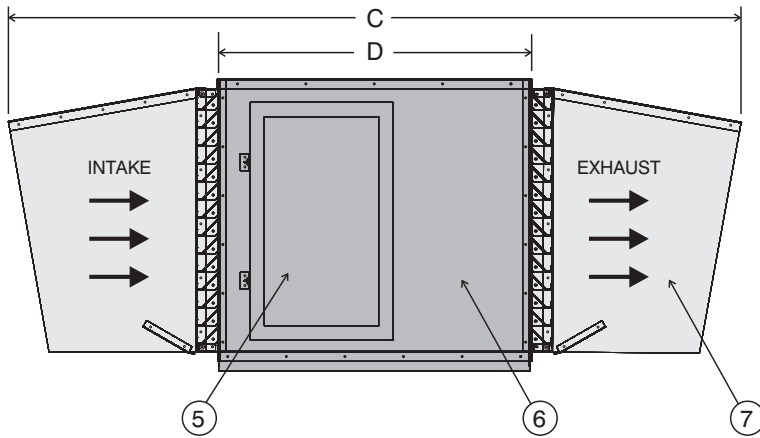
Stationary Load Bank

Dimensions and Key Features

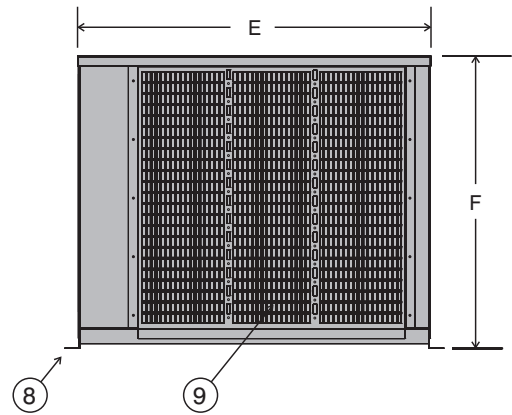
1. 1/2" Mounting Holes (4)
2. Conduit Entry
3. Cooling Fan and Motor
4. Load Elements
5. Local Control Panel
6. Removable Access Panel (Left & Right)
7. Louver Hood (Each End)
8. Mounting Foot (Each End)
9. Louver (Each End)



TOP VIEW WITHOUT HOODED LOUVERS



RIGHT SIDE VIEW



FRONT SIDE VIEW

	A	B	C	D	E	F
Up to 75KW	31.25"	20"	65"	22"	30"	30"
More than 75KW	37.25"	30"	75"	32"	36"	30"

SIMPLEX™