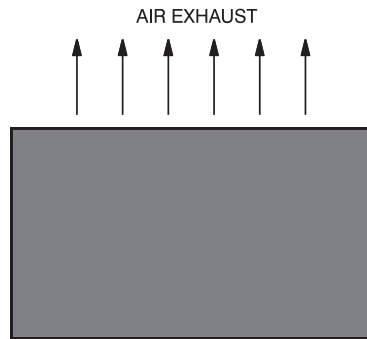


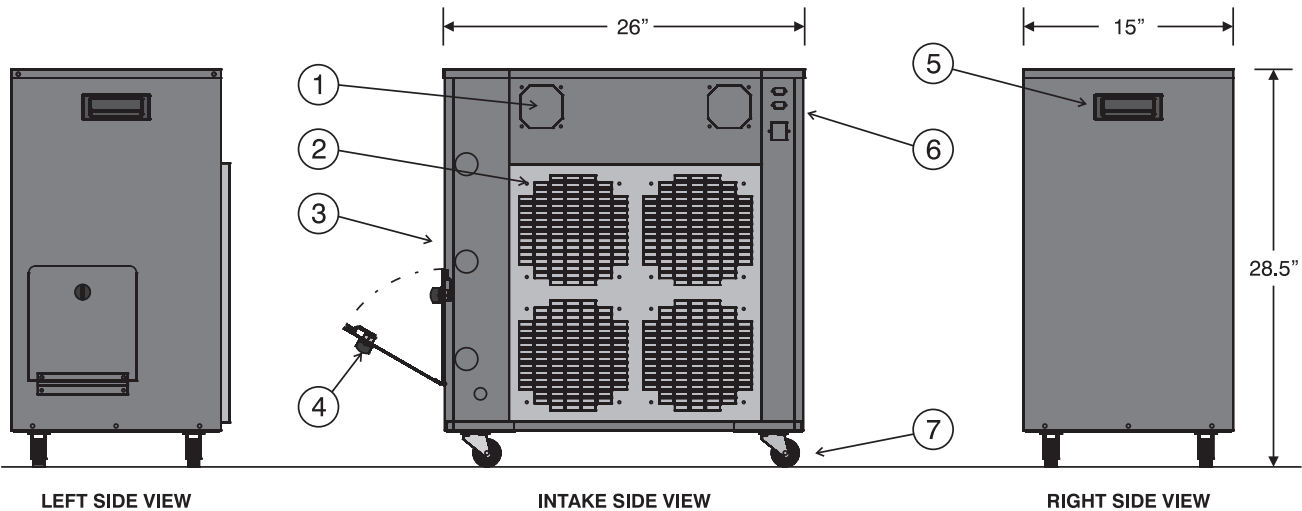
PowerStar Digital Load Bank

Dimensions and Key Features

1. Control Compartment Cooling Fans (2)
2. Load Element Compartment Cooling Fans (4)
3. Load Source Connections
4. Storage Compartment for handheld controller
5. Handles (2)
6. RS-232 and 120V connectors
7. Swivel Casters (4)



TOP VIEW



SIMPLEX™