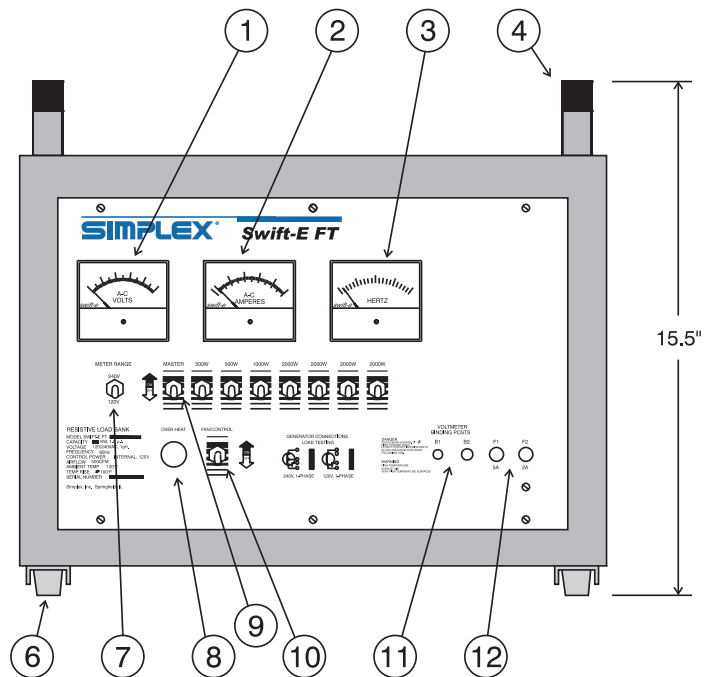
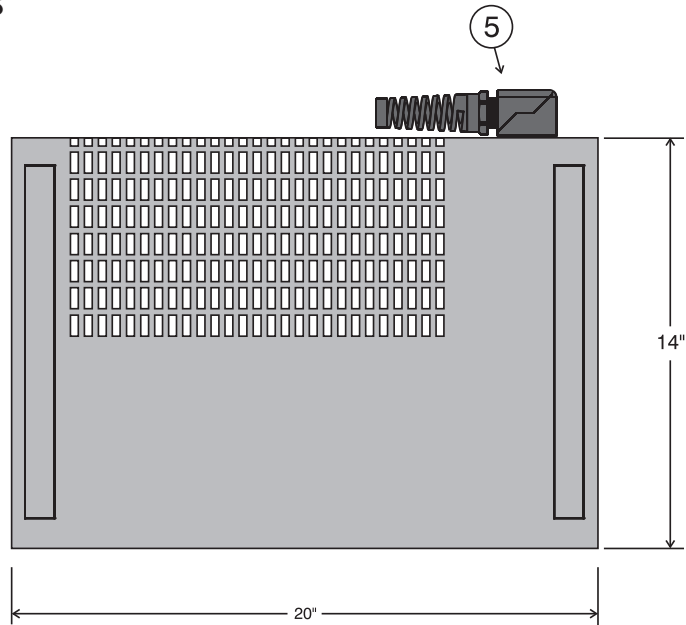


Swift-e Portable Load Bank

Dimensions and Key Features

1. Voltmeter
2. Ammeter
3. Frequency Meter
4. Handles, Cable Wrap
5. Cable Exit, Strain Relief
6. Rubber Feet
7. Meter Range Selector Switch
8. Over Heat Indicator Lamp
9. Master Load and Load Step Toggle Switches
10. Fan/Control Power Toggle Switch
11. Voltmeter Binding Posts
12. Control Fuses



SIMPLEX™