

TC-9 Fuel Fill Controller

Description

The Simplex Tank Commander TC-9 Fuel Fill Controller is an electronic monitor and control system used to control tank filling and prevent overflow. The TC-9 is used with a remote electric solenoid valve or motorized valve.

During filling operations, the TC-9 provides continuous level indication, Tank Full level audible and visual alarm, High Fuel level audible and visual alarm and shut-off.

The TC-9 can receive a signal from an external tank leak sensor to activate an alarm, send a remote signal and automatically close the fill valve. The TC-9 is for use with fuel oil only.



Includes

- NEMA-3R rainproof, lockable enclosure with hinged door
- Electronic level sensor for installation in tank - 2" fittings
- Digital percent level indicator
- High visibility red alarm light, High Fuel
- High visibility amber alarm light; Tank Full
- 90dB audible alarm horn with silence pushbutton
- Control Power switch
- Fill Valve Open and Close pushbuttons
- Alarm Tank Full level
- Alarm and automatic valve shut-off at High Fuel level

- Leak sensor input/alarm, automatic shut-off
- Indicators:
 - High Fuel
 - Tank Full
 - Control Power Available
 - Fill Valve Open
 - Fill Valve Closed
 - Tank Leak

Specifications

Power supply: 115V AC, 1 \emptyset , 60 Hz

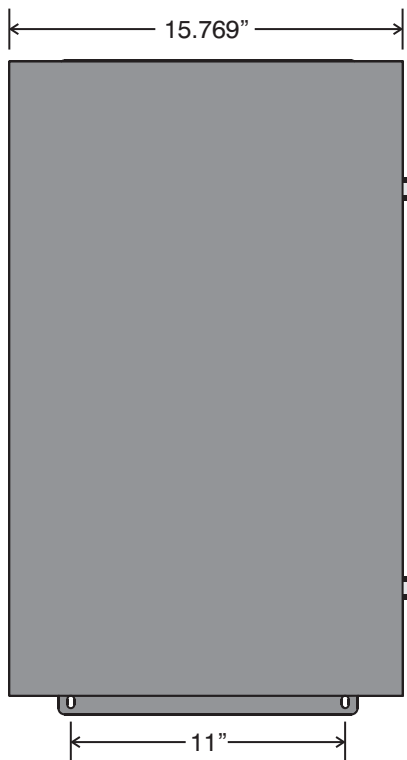
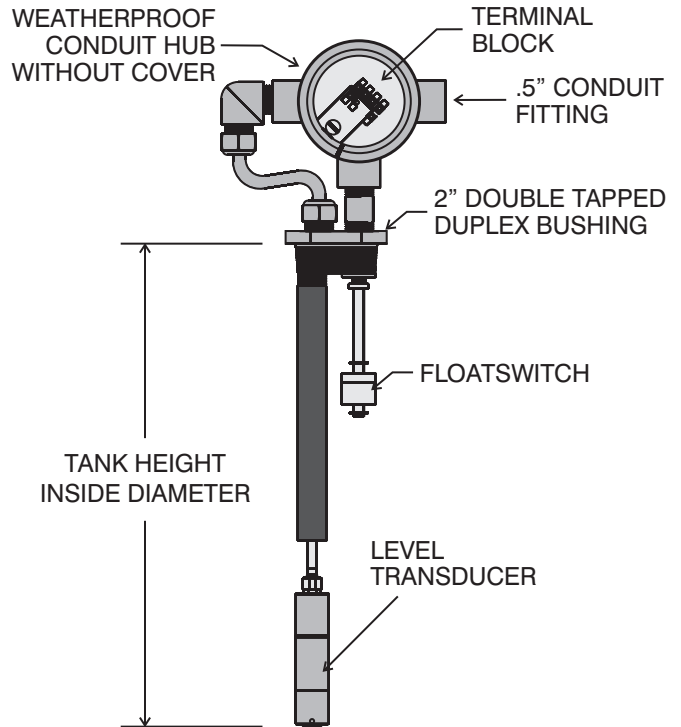
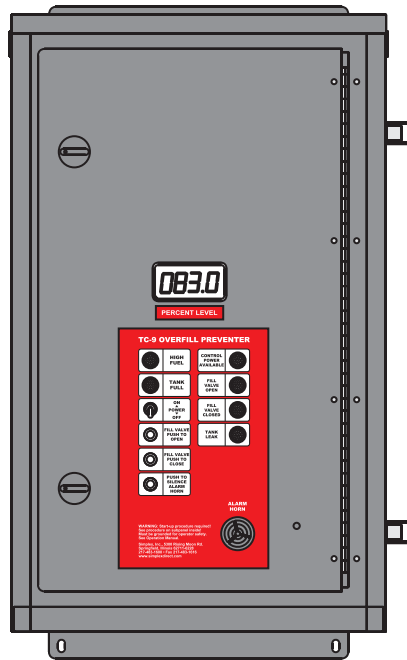
Accuracy: $\pm 2\%$

Transmitter fitting: 2" NPT or greater



TC-9

Dimensions and Key Features



LOCKABLE LATCH

