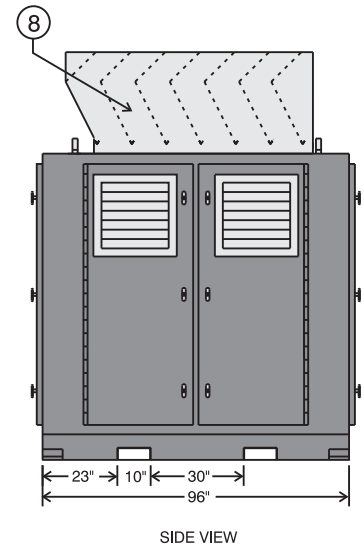
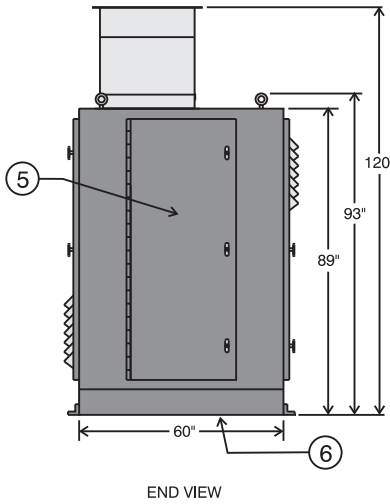
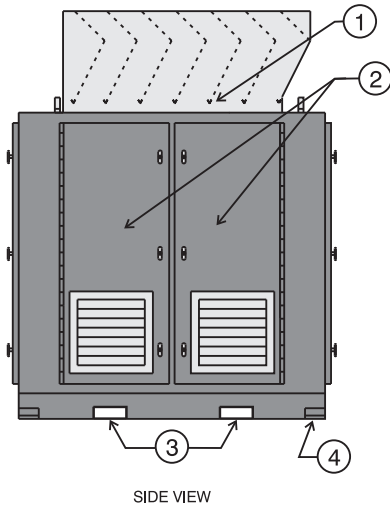
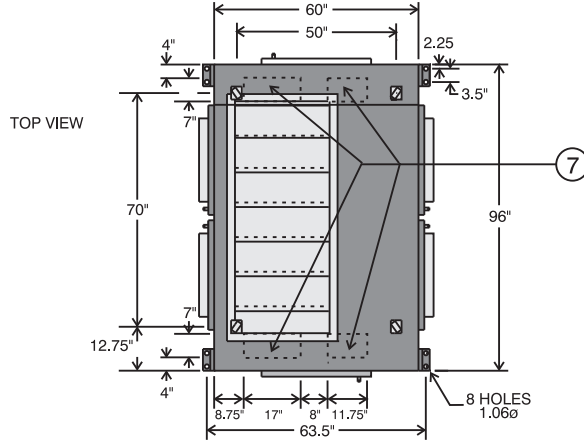
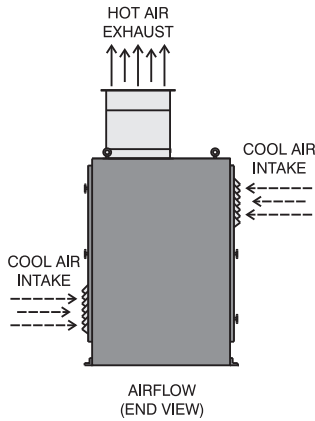


Titan Stationary Load Bank

Dimensions and Key Features



1. Rain Gutter Drain
2. Access Doors to Load Resistors (Both Sides)
3. Forklift Channels
4. Conduit Entry Location (Both Ends)

5. Access Door to Control and Components (Both Ends)
6. Conduit Entry Location (Both Ends)
7. Space Available for Bottom Entry of Conduit

SIMPLEX™