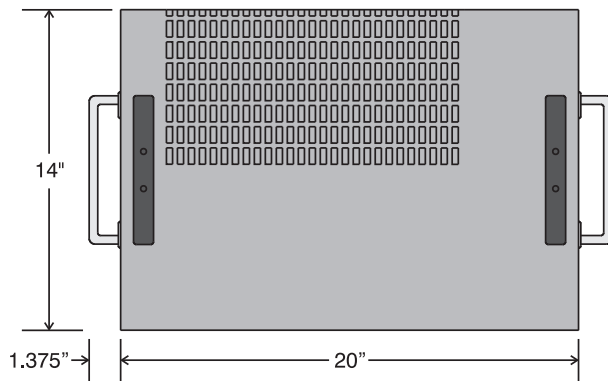
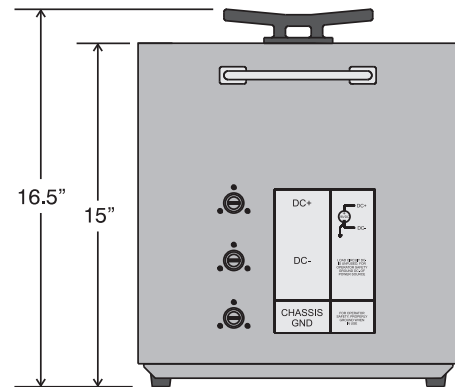
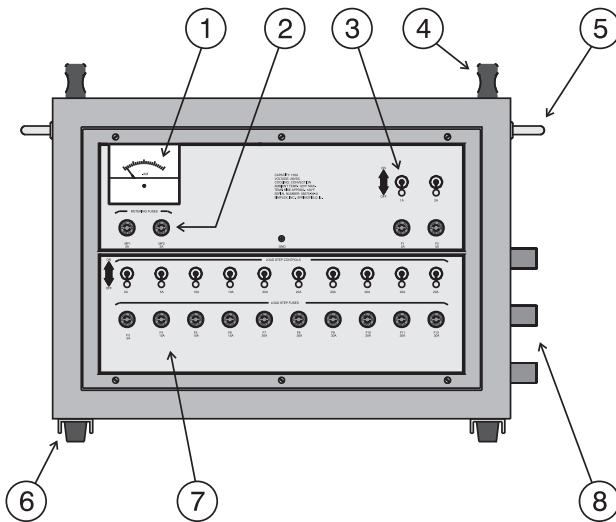


# Watt-Muncher Portable Load Bank

## Dimensions and Key Features



1. Ammeter
2. Metering Fuses
3. Control Toggle Switches
4. Cable Cleats
5. Carry Handles
6. Rubber Feet
7. Load Step Toggle Switches and Fuses
8. Cam-Lok Type Connectors



**SIMPLEX™**