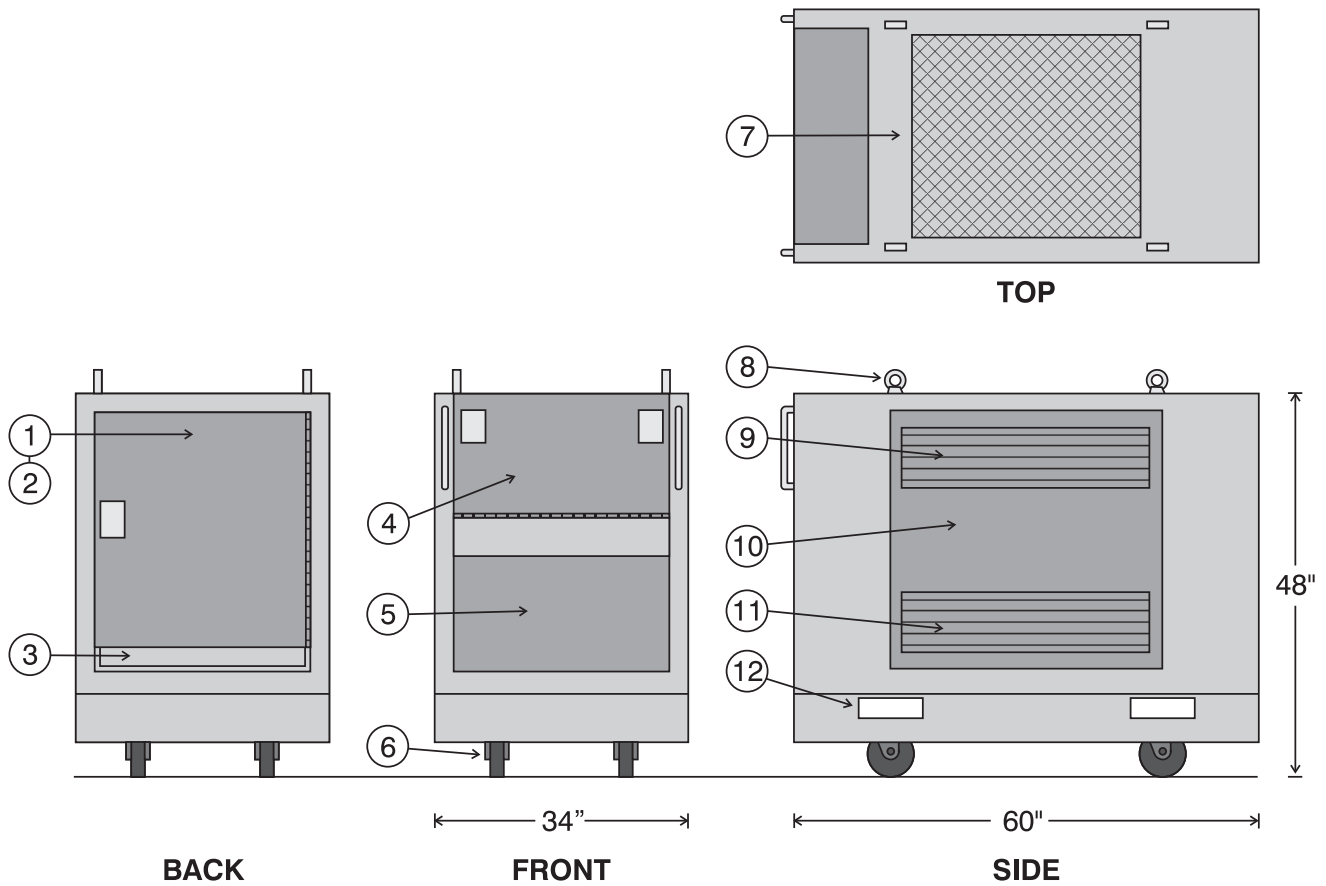


dynaMITE Large Portable Load Bank

Dimensions and Key Features

1. Cable Compartment behind Hinged Door
2. Behind Cable Compartment: Removable Access Panel to Rear Distribution Bus, Fuses, Contactors
3. Cable Exit-Allows Rear Door to Close
4. Instrumentation & Controls behind Doors
5. Removable Access Panel to Front
6. Rubber Tired Caster, 6", Front Swivel, Rear Fixed
7. Screened Hot Air Exhaust
8. Lifting Eyes
9. Venitlation Louvers
10. Removable Access Panel, Both Sides, to "Powr-Web" Load Element Trays
11. Cooling Air Intake Louvers
12. Fork Lift Channels



SIMPLEX™