

- NOTES
- 1) ALL DIMENSIONS ±.125
 - 2) DUE TO SYSTEM COMPLEXITY SOME COMPONENTS MAY NOT BE VISIBLE IN ALL VIEWS
 - 3) CONSTRUCTION WELDED 14 GA. H.R.S.
 - 4) CABINET COLOR: **WHITE** DOOR COLOR: **BLUE**
 - 5) APPROXIMATE WEIGHT: 125lbs.

FUEL ASSEMBLY PARTS (FS Assy-OPERATION 10)

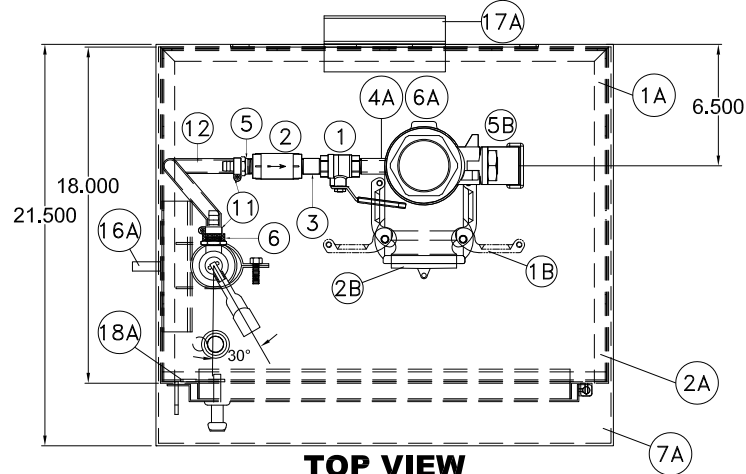
ITEM	DESCRIPTION	PART NUMBER	QTY.
1B	AC 3.00" ANGLE CHECK ELBOW COUPLER, FEMALE NPT. THREAD x COUPLER, ALUMINUM BODY W/ VITON SEAL, PART G	22919001	1
2B	DP1 DUST PLUG ADAPTER FOR 3.00" COUPLER, ALUMINUM, PART W	22440904	1
3B	N1 3.00"x4.00" NPT. NIPPLE, SCH. 40, 304 STAINLESS STEEL, TBE	60000196	1
4B	MHP MANUAL HAND PUMP, STEEL BODY W/ ALUMINUM HEAD & BASE 1-GAL. PER 9 STROKES DELIVERY RATE	24740000	1
5B	BV2 3.00" NPT. MANUAL BALL VALVE, FULL PORT, BRASS/BRONZE BODY	22919000	1

AVAILABLE PARTS (REFERENCE SALES ORDER FOR OPTIONS)

FUEL ASSEMBLY PARTS (FLOOR STOCK)

ITEM	DESCRIPTION	PART NUMBER	QTY.	OPTION
13	WHP WEATHERPROOF HOLE PLUG W/ GASKET, TYPE 4X, FOR 0.75" HOLE	17111150	1	
14	DL DIESEL LABEL, 6"x3"H, GREEN/WHITE	24138005	1	FSOP-041
15	GL GAS LABEL, 6"x3"H, RED/WHITE	24138000	1	FSOP-042
16	EQ FLORIDA EQ-481 SPILL CONTAINMENT LABEL, 5.25"Lx2.5"H, WHITE/BLACK	24055213	1	FSOP-043

- DIESEL** 14
- GAS** 15
- Florida EQ-481** 16



OUTLET 3.00" NPT.

FP-3 COMPACT FUEL PORT 3" (NON-STOCK/NON-PART NUMBER)

****CUSTOMER/PRODUCTION DRAWING****

STD. FILLING SYSTEM DRAWING
 NON-STD. FILLING SYSTEM DRAWING

REFERENCE ASSEMBLY (FOR SIMPLEX USE ONLY)

ITEM	DESCRIPTION	PART NUMBER	QTY.
1A	CFB COMPACT FILL BASE WELDMENT ASSEMBLY	ACD-00053535C	1
2A	CFB COMPACT FILL BASE TOP WELDMENT ASSEMBLY	ACD-00053536B	1
3A	CFB-3 3.00"x8.00" NIPPLE ASSEMBLY	ACD-00059598A	1
4A	CFB 0.50"x4.00" NIPPLE ASSEMBLY	ACD-00053538A	1

FABRICATED PARTS (Weld-OPERATION 10)

ITEM	DESCRIPTION	PART NUMBER	QTY.
5A	3.00"x8.00" NPT. NIPPLE, TBE, SCH. 40, 150#, BLK.	22517004	1
6A	0.50"x4.00" NPT. NIPPLE, TBE, SCH. 40, 150#, BLK.	22513100	1
7A	COMPACT FILL BASE TOP	ACD-00053539B	1
8A	COMPACT FILL BASE WRAPPER	ACD-00053540B	1
9A	COMPACT FILL BASE TOP HEADER	ACD-00053541A	1
10A	COMPACT FILL BASE BOTTOM	ACD-00053542A	1
11A	COMPACT FILL BASE WALL MOUNTING PLATE	ACD-00053543A	1
12A	COMPACT FILL BASE UNISTRUT DETAIL	ACD-00053544A	2
13A	COMPACT FILL BASE DOOR	ACD-00053545B	1
14A	COMPACT FILL BASE ANGLE FOR WALL MOUNTING CHANNEL	ACD-00053546A	1
15A	COMPACT FILL BASE PADLOCK SLOT/TAB, 7GA. H.R.S.	ACD-00053547A	1
16A	COMPACT FILL BASE STAINLESS STEEL GROUND STUD	ACD-00053548A	1
17A	COMPACT FILL BASE WALL MOUNTING CHANNEL BRACKET (SHIP LOOSE)	ACD-00053549A	2
18A	COMPACT FILL BASE DOOR PAWL, 2.375", GALVANIZED	ACD-00053551A	1
19A	0.375" NPT. WELD FLANGE, BLK, FLAT TYPE FOR SUMP DRAIN	22602000	1

FUEL ASSEMBLY PARTS (FLOOR STOCK)

ITEM	DESCRIPTION	PART NUMBER	QTY.
1	BV1 0.50" NPT. MANUAL BALL VALVE, FULL PORT, BRASS/BRONZE BODY	22918050	1
2	CV 0.50" NPT. CHECK VALVE, SPRING TYPE, BRONZE W/ VITON O-RING	22923105	1
3	NP2 0.50"x1.50" NPT. NIPPLE, SCH. 40, 304 STAINLESS STEEL, TBE	22514048	1
4	NP3 0.75"x3.00" NPT. NIPPLE, SCH. 40, 304 STAINLESS STEEL, TBE	60000102	1
5	HB1 HOSE BARB 0.50" ID BARB x 0.50" NPT. MALE THREADS, BRASS	60000159	1
6	HB2 HOSE BARB 0.50" ID BARB x GHT FEMALE THREADS, BRASS	22743000	1
7	DLN DOOR LATCH, NON-LOCKING T-HANDLE, BLACK W/ GASKET	15454500	1
8	DH DOOR HINGE 2-1/4"x19/32" #10 W/ UL GREEN SEALING WASHERS	15372001 20715025	2 4
9	SP SUMP PLUG, 0.375" NPT. HEX HEAD, 316 STAINLESS STEEL	22905600	1
10	PC1 2.00" PIPE CLAMP, GALVANIZED FOR MOUNTING MANUAL HAND PUMP	27100105	2
11	HC HOSE CLAMP W/ STAINLESS STEEL BAND	22203000	2
12	H PCV CLEAR BRAIDED HOSE, 0.50" I.D. x 0.75" O.D.	22730001	-

D

C

B

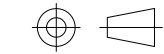
A



SIMPLEX, INC.
5300 RISING MOON ROAD
SPRINGFIELD, ILLINOIS 62711-6228

THE INFORMATION HEREON IS THE PROPERTY OF SIMPLEX, INC. AND/OR ITS SUBSIDIARIES. WITHOUT WRITTEN PERMISSION ANY COPYING, TRANSMITTAL TO OTHERS AND USE EXCEPT THAT FOR WHICH IT IS LOANED IS PROHIBITED.
© 2019 SIMPLEX, INC. ALL RIGHTS RESERVED.

THIRD ANGLE PROJECTION



REV	DATE	DESCRIPTION
B	09/05/2019	UPDATED NUMBERING & DOOR HOLES
A	08/07/2019	ORIGINAL DESIGN

TOLERANCES
X.XXX ± 0.005"
X.XX ± 0.010"
X.X ± 0.020"
FRACTIONAL ± 1/32"
ANGLES ± 1°
SURFACES 125

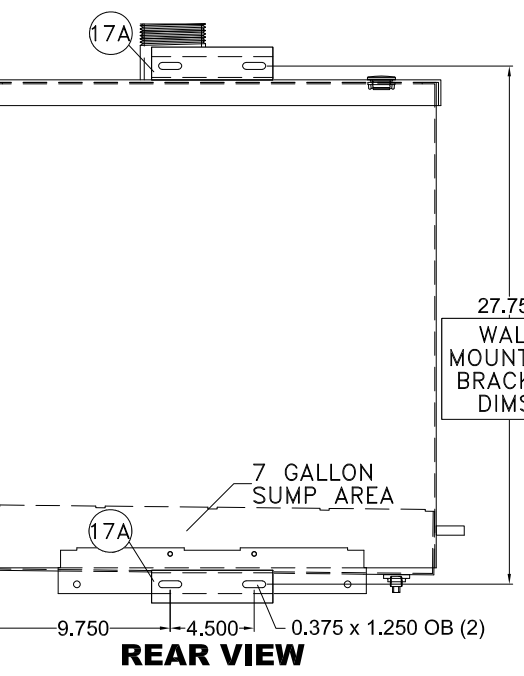
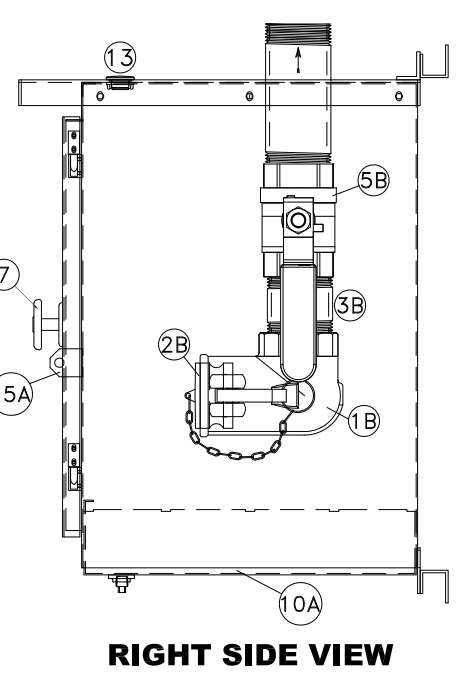
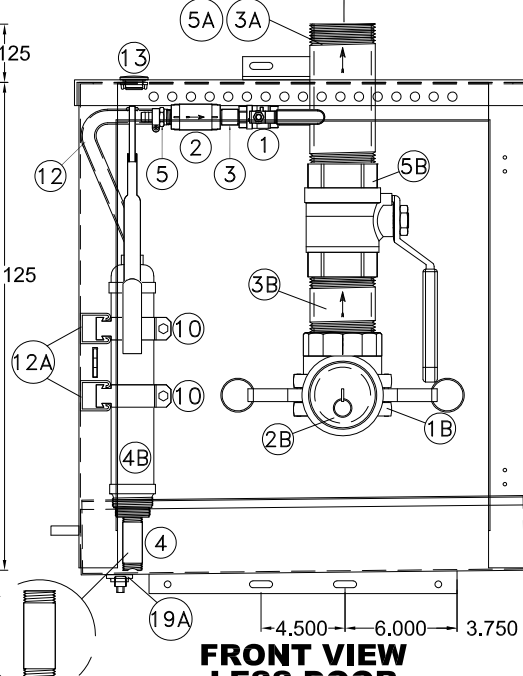
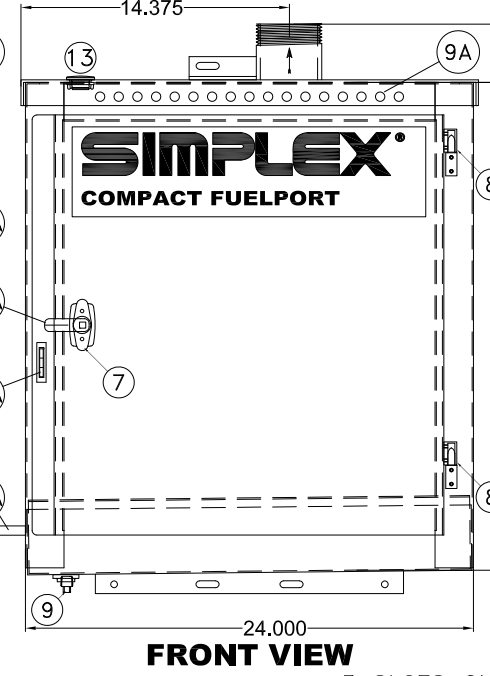
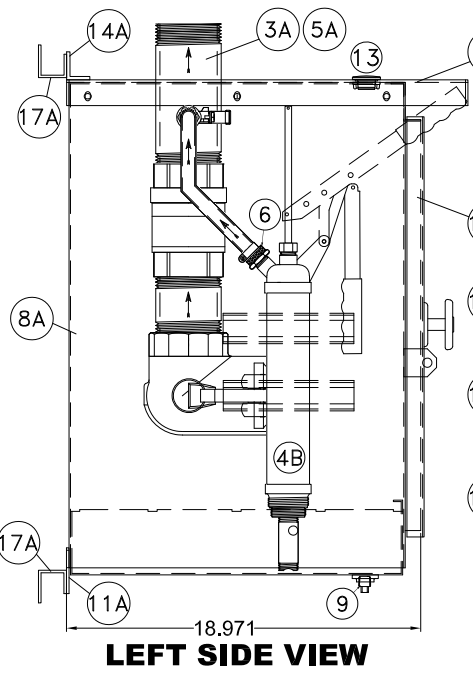
APPROVED BY: AA
DRAWN BY: AA
SCALE: 1:10.1276
SHEET SIZE: ANSI B
JOB NUMBER: NA

DESCRIPTION
COMPACT FUEL PORT
FP-3 PICTORIAL

Approved 09/05/2019

DRAWING NUMBER
ACD-00060596

SHEET NUMBER: 1/1
REVISION: B



3 SLOTS CUT INTO NIPPLE

27.750
WALL MOUNTING BRACKET DIMS.

7 GALLON SUMP AREA

D

C

B

A