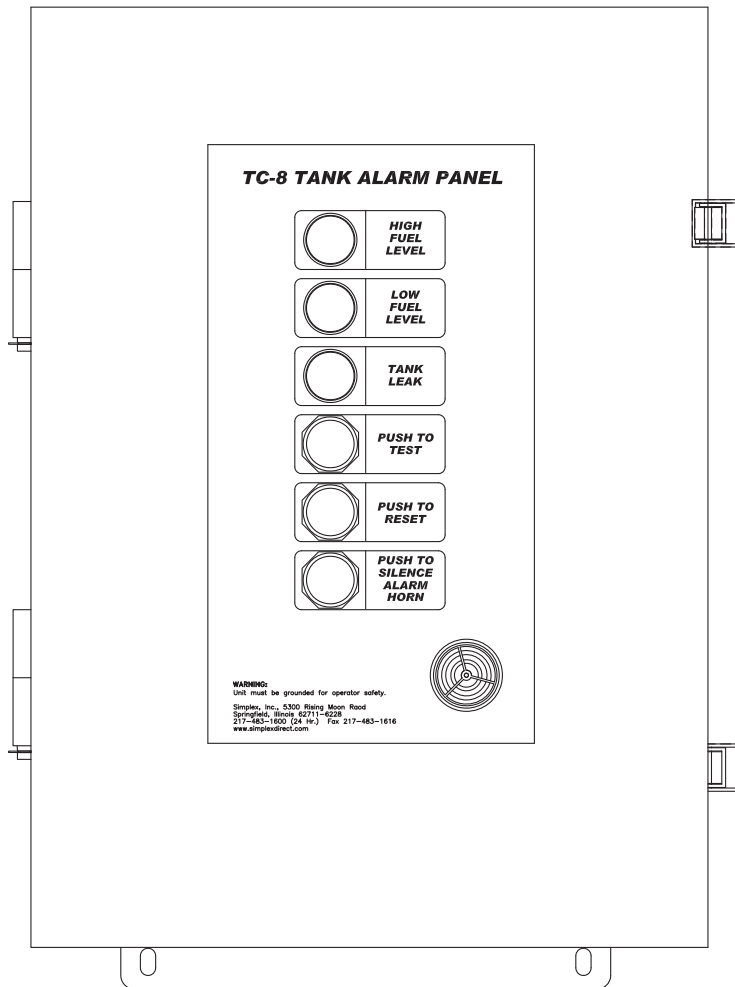


SIMPLEX[®]

TC-8 TANK ALARM PANEL

March 2021



Contents

| | |
|-------------------|---|
| DESCRIPTION | 2 |
| INSTALLATION..... | 3 |

The information herein is the property of Simplex, Inc. and/or its subsidiaries. Without written permission, any copying, transmitting to others, and other use except that for which it is loaned, is prohibited.

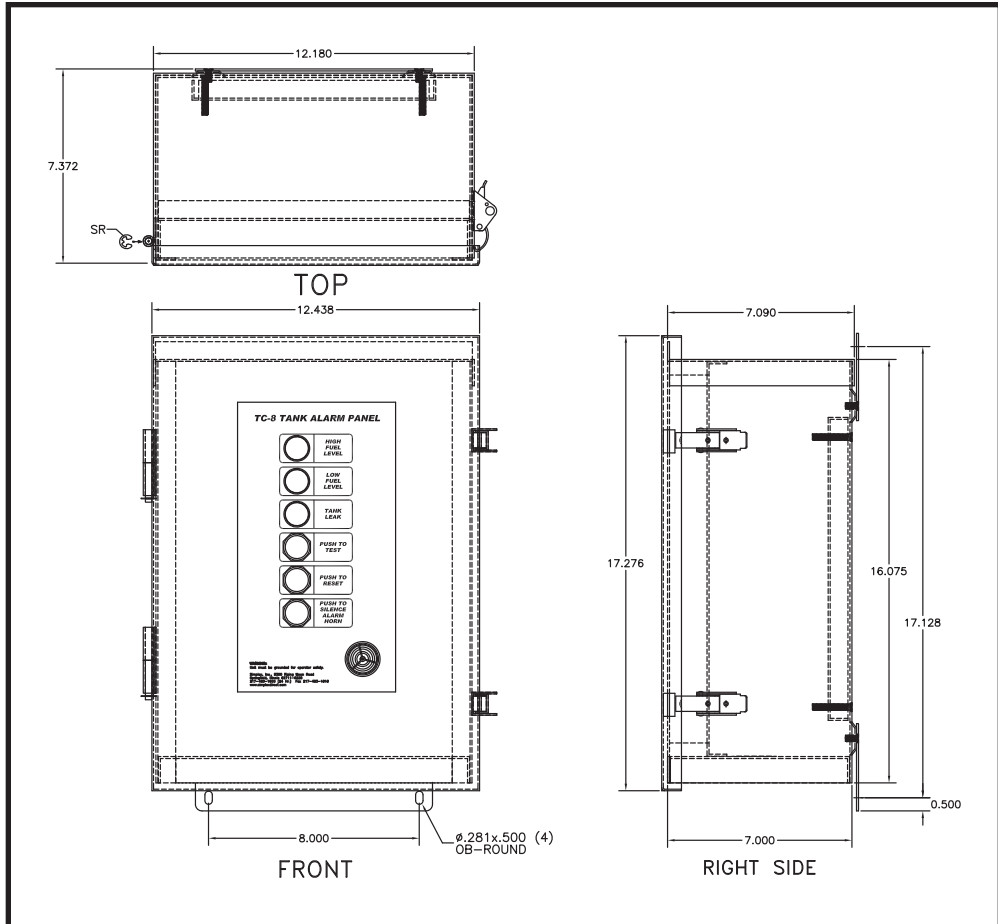
DESCRIPTION

The Simplex Tank Commander TC-8 Tank Alarm Panel is used to monitor High Level, Low Level, and Tank Leak Alarms. The TC-8 provides both audio and visual indication. Relay dry contacts are provided for remote alarms. The TC-8 receives signals from float switches mounted on the tank. The float switches may be included as an option or provided by others.

The TC-8 is available in 120VAC and 24VDC voltages. The TC-8 is for use with fuel oil or other Class II liquids or non-flammable liquids or chemicals. The TC-8 carries a UL 508A Label.

The TC-8 includes:

- NEMA-3R rainproof, lockable enclosure with hinged door
- UL 508A Label
- Red alarm light; high level
- Red alarm light; low level
- Red alarm light; tank leak
- 90dB audible alarm horn with silence pushbutton
- Press-To-Test pushbutton
- Press-To-Reset pushbutton

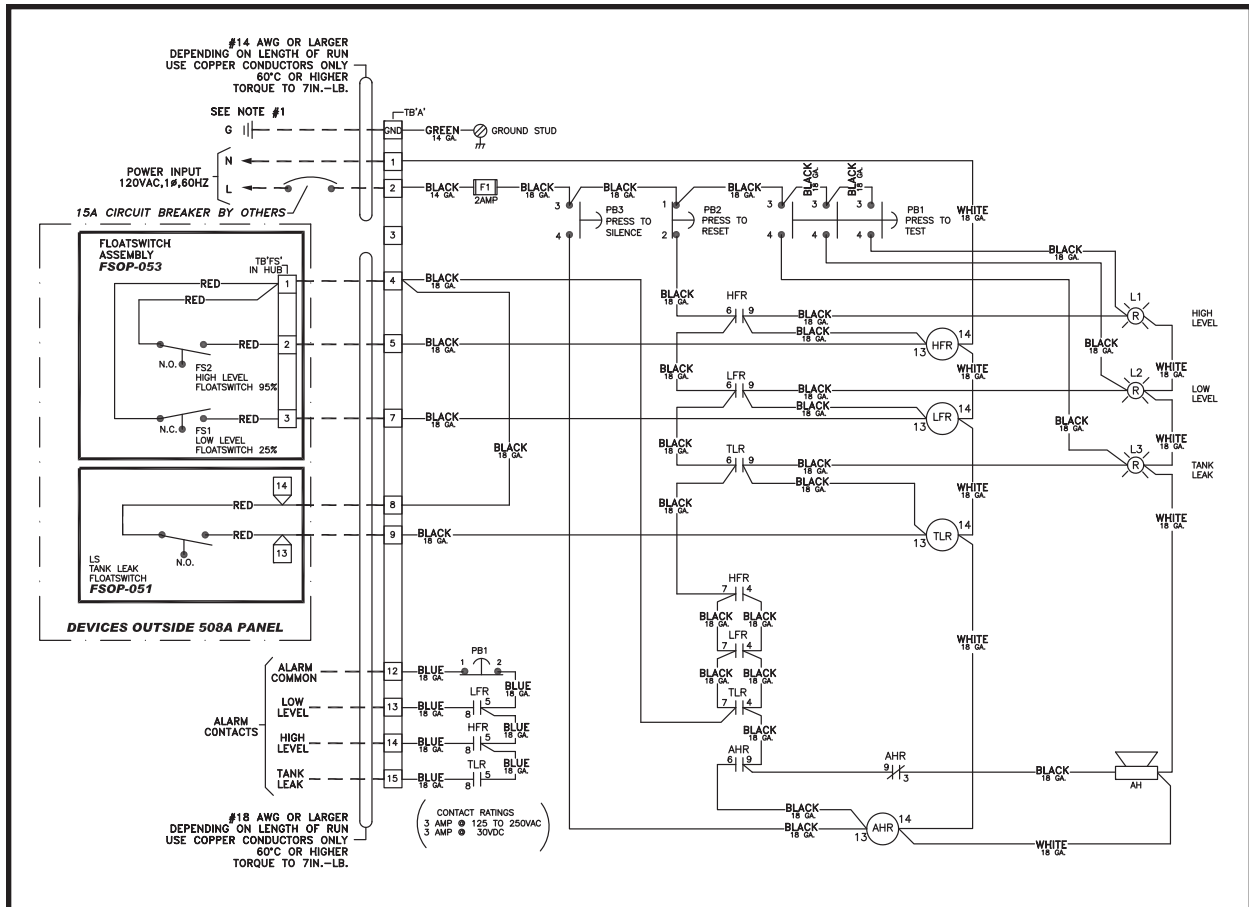


Pictorial Drawing Example

- Indicators for
 - Tank leak (external input)
 - High Fuel alarm (external input)
 - Low Fuel alarm (external input)
- Level sensors, optional

TC-8 specifications:

- Power supply: 115VAC, 1 ϕ , 60 Hz or 24VDC
- Application:
 - Fuel oil or other Class II liquids or non-flammable liquids or chemicals
- Alarm contacts: 3A @ 125/250VAC, 30VDC



Wiring Drawing Example

INSTALLATION

1. See Pictorial Drawings:
 - a. Properly mount and attach all components as shown using the mounting slots/holes provided.
 - b. Install TC-8 Tank Alarm Panel, Float-switch Assembly and Tank Leak Float-switch in the appropriate NPT fittings in the top of the fuel storage tank.
2. See Wiring Drawing. Make all connections per specifications on the drawings provided.
 - a. Connect TB'A' GND on the TC-8 Tank to an earthground.
 - b. Connect TB'A' 1-2 to 120V, 1Ø, 60Hz power input and customer supplied 15A circuit breaker as shown.
 - c. Connect floatswitches to TB'A' contacts as shown.
 - d. If needed, connect customer supplied alarm devices to contacts on TB'A' as shown.

Contacts are rated 3A @ 125 to 250VAC, 3A @ 30VDC.

⚠ WARNING ⚠

Never operate or service a Tank Alarm Panel that is not properly grounded.